



Cat[®] TH406C

Telehandler

Specifications

Engine

Model	Cat [®] C3.4B Tier 4 Interim	
Standard	Cat [®] C3.4B Tier 4 Interim	
Option 1	Cat C4.4 ACERT™ Tier 4 Interim	
Option 2	Cat C4.4 ACERT Tier 4 Interim	
Gross Power		
Standard	75 kW/101 hp	
Option 1	92.6 kW/124 hp	
Option 2	106 kW/142 hp	
Maximum Torque		
Standard	420 N-m/1,400 rpm	
Option 1	530 N-m/1,400 rpm	
Option 2	560 N-m/1,400 rpm	
	Standard	Options 1 and 2
Bore	99 mm (3.90 in)	105 mm (4.13 in)
Stroke	110 mm (4.33 in)	127 mm (4.99 in)
Displacement	3.4 L (207.5 in ³)	4.4 L (268.5 in ³)

Weights

Operating Weight with Carriage & Forks	8330 kg	18,364 lb
--	---------	-----------

Operating Specifications

Rated Load Capacity	3700 kg	8,150 lb
Maximum Lift Height	6100 mm	20 ft
Maximum Forward Reach	3109 mm	10.2 ft
Top Travel Speed	40 km/h	25 mph
Load at Maximum Height	2500 kg	5,500 lb
Load at Maximum Reach	1500 kg	3,300 lb
Outside Turning Radius Over Tires	3700 mm	12.1 ft
Outside Turning Radius Over Forks	4670 mm	15.3 in
Drawbar Pull		
Standard	78 kN	17,535 lb
Option 1	85 kN	19,191 lb
Option 2	93 kN	20,907 lb

Service Refill Capacities

Fuel Tank	150 L	39.63 gal
Hydraulic Tank	90 L	23.78 gal

Tires

Standard	15.5-25 SGL
----------	-------------

Brakes

Service Brakes	Servo assisted on front axle
Parking Brakes	Mechanical on front axle

Instruments

- Engine speed, boom angle, machine speed, operation hours, % of continuous flow selected, gear selected, and direction.

Hydraulic System

Maximum System Pressure	250 bar	3,625 psi
Maximum Pump Flow	150 L/min	39.63 gal/min
Pump Type	Variable displacement load sensing axial piston pump	

Auxiliary Hydraulic Supply

Intermittent	80 L/min	21.13 gal/min
Continuous	60 L/min	15.85 gal/min

- Auxiliary Hydraulic Circuit used for all attachments equipped with cylinders or other hydraulic components. Consists of valves, controls, and hydraulic lines.

Transmission Speeds

	C3.4B Engine Only	All Engine Options
Forward		
1	7 km/h (4.3 mph)	6.7 km/h (4.2 mph)
2	13.7 km/h (8.5 mph)	10 km/h (6.2 mph)
3	20.4 km/h (12.7 mph)	12.9 km/h (8 mph)
4	30 km/h (18.6 mph)	19.4 km/h (12.1 mph)
5	—	29.7 km/h (18.5 mph)
6	—	40 km/h (24.9 mph)
Reverse		
1	7 km/h (4.3 mph)	6.7 km/h (4.2 mph)
2	13.7 km/h (8.5 mph)	12.9 km/h (8 mph)
3	30 km/h (18.6 mph)	29.7 km/h (18.5 mph)

Boom Performance

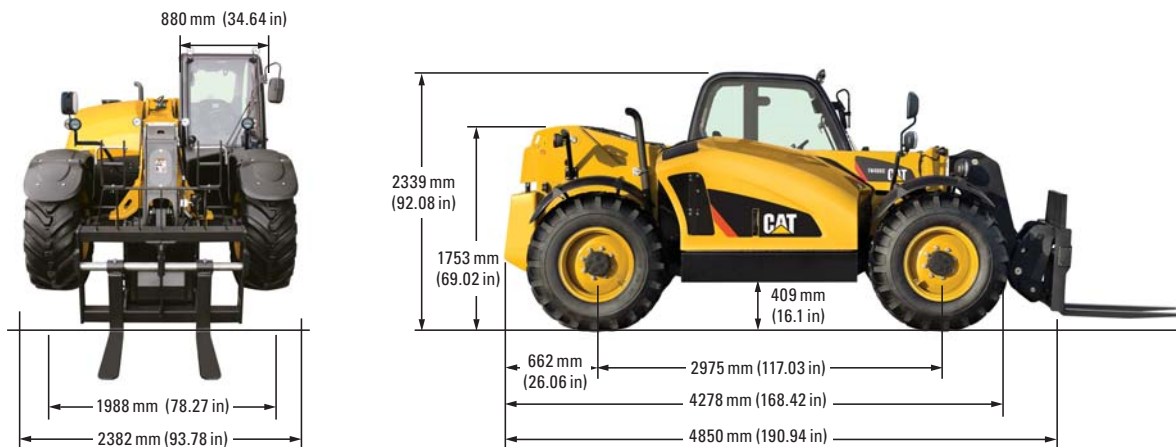
Boom Up	5.1 Seconds
Boom Down	4.9 Seconds
Tele In	4.4 Seconds
Tele Out	4.6 Seconds
Crowd Forward (dump)	3.1 Seconds
Crowd Backward	2.5 Seconds
Combined	
Up and Out	8.0 Seconds
Down and In	6.0 Seconds
Bucket Breakout Force to ISO 8313	55 kN
Boom Breakout Force	36 kN



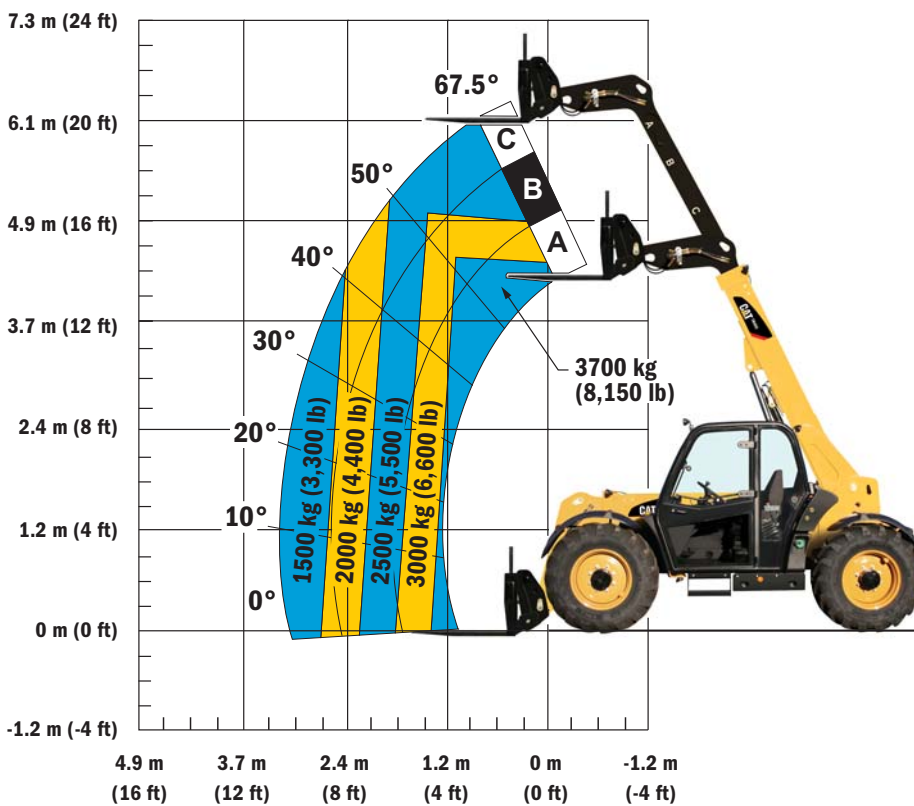
TH406C Telehandler

Dimensions

All dimensions are approximate.



Load Chart and Dimensions



IMPORTANT

Rated lift capacities shown are with machine equipped with carriage and pallet forks. The machine must be level on a firm surface with undamaged, properly inflated tires. Machine specifications and stability are based on rated lift capacities at specific boom angles and boom lengths. (If specifications are critical, the proposed application should be discussed with your dealer.)

DO NOT exceed rated lift capacity loads, as unstable and dangerous machine conditions will result.

DO NOT tip the machine forward to determine the allowable load.

Use only approved attachments with proper material handler model/attachment load capacity charts displayed in the operator's cab. OSHA requires all rough terrain forklift operators be trained according to OSHA 29 CFR 1910.178 (1).

Due to continuous product improvements, machine specifications and/or equipment changes may be made without prior notification. This machine meets or exceeds ANSI/ITSDF B56.6-2005 as originally manufactured for intended applications.

For more complete information on Cat products, dealer services, and industry solutions, visit us on the web at www.cat.com

© 2013 Caterpillar
All rights reserved.

CAT, CATERPILLAR, their respective logos, "Caterpillar Yellow" and the "Power Edge" trade dress, as well as corporate and product identity used herein, are trademarks of Caterpillar and may not be used without permission.

AEHQ6748-01 (05-2013)
Replaces AEHQ6748

