

Toro® Dingo® Tracked Models Specifications

TORO DINGO TX TRACKED MODELS

TX 525	Kubota® 25 hp D902E2B
TX 525 Wide Track	Kubota 25 hp D902E2B
TX 420	Kohler® Command Pro® Series 20 hp
TX 425 Wide Track	Kohler Command Pro Series 25 hp
TX 413	Honda® GX390, 4-cycle, 13 hp

ENGINE

Fuel Type	Models TX 525: Diesel Models TX 420/TX 425/TX 413: Gas
Cooling System	Models TX 525: Liquid cooled Models TX 420/TX 425/TX 413: Air cooled
Fuel Tank	Models TX 525/TX 425/TX 420 – 6 gallons (23 liters); Model TX 413 – 3 gallons (11.4 liters)
Oil Capacity	Models TX 525 – 3.84 quarts (3.63 liters) Models TX 425/TX 420 – 2 quarts (1.9 liters) Model TX 413 – 1.16 quarts (1.1 liters)

HYDRAULIC SYSTEM

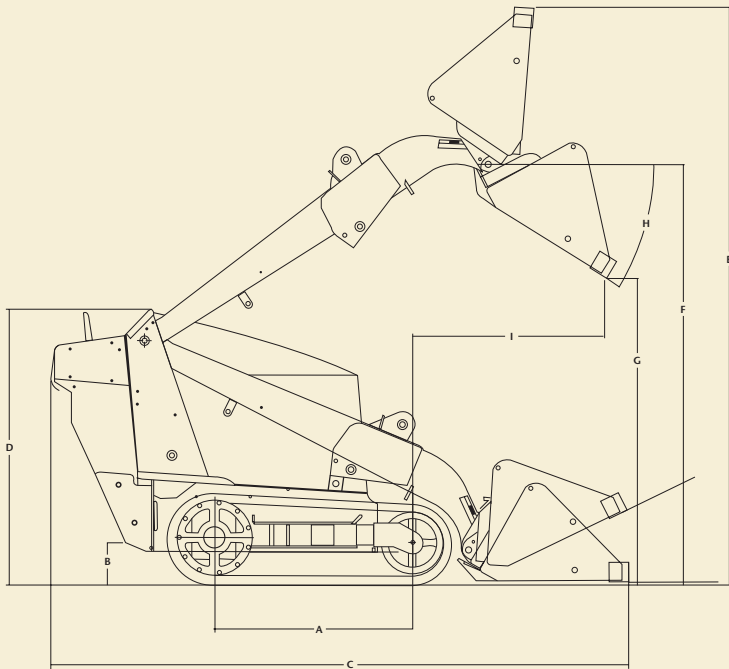
Pressure	Models TX 525/TX 425/TX 420 – 3000 psi Model TX 413 – 2540 psi
Flow	Models TX 525 – 13.8 gpm auxiliary; 6 gpm loader arm; 16.9 gpm traction (each pump) Models TX 425/TX 420 – 11.4 gpm auxiliary; 6 gpm loader arm; 16.9 gpm traction (each pump) Model TX 413 – 7 gpm combined
Reservoir Capacity	Models TX 525/TX 425/TX 420 – 10.5 gallons (40 liters) Model TX 413 – 10 gallons (38 liters)
Auxiliary Horsepower	Models TX 525; 24 hp Models TX 420/TX 425; 20 hp Model TX 413; 10 hp

TRACK

Standard	Models TX 525/TX 425 Wide Track – Endless Kevlar® reinforced rubber, 96.6" x 9.5", single internal tooth drive Models TX 525/TX 420/TX 413 – Endless Kevlar reinforced rubber, 96.6" x 5.9", single internal tooth drive
----------	---

TRACK DRIVE

Standard	Sprocket-Drive, 10 road wheels per side, cast iron track guide
Traction	Dual hydrostatic pump



DIMENSIONS

	TX 525	TX 525 Wide Track	TX 420	TX 425 Wide Track	TX 413
Track Width	5.9"	9.5"	5.9"	9.5"	5.9"
A Wheelbase	31.2" (79 cm)	31.2" (79 cm)	31.2" (79 cm)	31.2" (79 cm)	31.1" (79 cm)
B Ground Clearance	4.6" (11.7 cm)	4.6" (11.7 cm)	4.6" (11.7 cm)	4.6" (11.7 cm)	4.6" (11.7 cm)
C Overall Length	92" (233.7 cm) w/ bucket; 70.7" (180 cm) w/o bucket	92" (233.7 cm) w/ bucket; 70.7" (180 cm) w/o bucket	92" (233.7 cm) w/ bucket; 70.7" (180 cm) w/o bucket	92" (233.7 cm) w/ bucket; 70.7" (180 cm) w/o bucket	86.7" (220.2 cm) w/ bucket; 66.1" (167.9 cm) w/o bucket
Overall Width	33.7" (85.6 cm)	41" (104 cm)	33.7" (85.6 cm)	41" (104 cm)	33.7" (85.6 cm)
D Overall Height	46.1" (117.1 cm)	46.1" (117.1 cm)	46.1" (117.1 cm)	46.1" (117.1 cm)	42.5" (107.9 cm)
E Maximum Operating Height	90.1" (229 cm)	90.1" (229 cm)	90.1" (229 cm)	90.1" (229 cm)	76.4" (194 cm)
F Hinge Pin Height	65.8" (167.1 cm)	65.8" (167.1 cm)	65.8" (167.1 cm)	65.8" (167.1 cm)	48" (167.1 cm)
G Dump Height	46.1" (117.1 cm)	46.1" (117.1 cm)	46.1" (117.1 cm)	46.1" (117.1 cm)	46.1" (117.1 cm)
H Dump Angle	38°	38°	38°	38°	45°
I Reach	21.8" (55.4 cm) fully raised	21.8" (55.4 cm) fully raised	21.8" (55.4 cm) fully raised	21.8" (55.4 cm) fully raised	21.5" (54.6 cm) fully raised
Ground Speed	0–4.5 mph forward, 0–2 mph reverse	0–4.5 mph forward, 0–2 mph reverse	0–4.5 mph forward, 0–2 mph reverse	0–4.5 mph forward, 0–2 mph reverse	0–3 mph forward, 0–1.5 mph reverse
Tip Capacity	1580 lbs. (717 kg)	1580 lbs. (717 kg)	1530 lbs. (694 kg)	1530 lbs. (694 kg)	1200 lbs. (544 kg)
SAE J818 Rating 50% tip capacity	790 lbs. (360 kg)	790 lbs. (360 kg)	765 lbs. (348 kg)	765 lbs. (348 kg)	600 lbs. (223 kg)
SAE J818 Rating 35% tip capacity	553 lbs. (251 kg)	553 lbs. (251 kg)	535 lbs. (243 kg)	535 lbs. (243 kg)	420 lbs. (191 kg)
Weight (w/ std. bucket)	2030 lbs. (921 kg)	2127 lbs. (965 kg)	2006 lbs. (910 kg)	2186 lbs. (992 kg)	1466 lbs. (655 kg)
Weight (w/o bucket)	1904 lbs. (864 kg)	2001 lbs. (908 kg)	1880 lbs. (853 kg)	2060 lbs. (934 kg)	1340 lbs. (608 kg)
Ground Pressure	5.2 psi	3.4 psi	5.1 psi	3.5 psi	3.6 psi

See your Toro dealer for warranty details.