



Cat® CP56B

PADFOOT DRUM VIBRATORY SOIL COMPACTOR

FEATURES:

The Cat® CP56B features a padfoot drum and is ideally suited for cohesive and semi-cohesive soil applications:

- **Comfortable and ergonomic operator station** features pivoting seat with integrated multifunction LCD display and control console, outstanding visibility to the front and rear of machine, low sound levels and vibration for greater operator comfort and productivity.
- **World-class propel system** built around the exclusive Cat dual pump propel system, two pumps provide separate dedicated flow to drum drive motor and rear axle motor for exceptional gradeability and traction in forward and reverse. New electronic propel control enables more precise machine control.
- **Virtually maintenance free** due to maintenance-free hitch bearings and extended maintenance intervals for vibratory system and hydraulic system, providing more uptime and lower maintenance costs.
- **Cat® Compaction Control - Machine Drive Power (MDP) Option** helps the operator determine when compaction has been completed to spec for greater productivity and uniform compaction quality.
- **Enhanced compaction performance** due to more weight at the drum and greater amplitude. Automated propel and vibratory system functions make it easy to ensure consistent, high quality.
- **Involuted Oval Padfoot Design** provides deeper compaction than square faced pad designs. Square pad design also available.

Specifications

Engine - Power Train

Engine Model	Cat® C4.4 ACERT™	
Emission Standards	US EPA Tier 4 Final EU Stage IV	
Gross Power ISO 14396	117 kW	157 hp
Displacement	4.4 L	268.5 in ³
Stroke	127 mm	5 in
Bore	105 mm	4.1 in
Max. Travel Speed (Forward or Reverse)	11.4 km/h	7 mph

Weights

Operating Weight w/ ROPS/FOPS canopy	11 465 kg	25,264 lb
with Leveling Blade	12 085 kg	26,637 lb
Operating Weight w/ ROPS/FOPS cab	11 665 kg	25,707 lb
with Leveling Blade	12 285 kg	27,080 lb
Weight at Drum w/ ROPS/FOPS canopy	6365 kg	14,026 lb
with Leveling Blade	7255 kg	15,987 lb
Weight at Drum w/ ROPS/FOPS cab	6455 kg	14,231 lb
with Leveling Blade	7345 kg	16,192 lb

Vibratory System Specifications

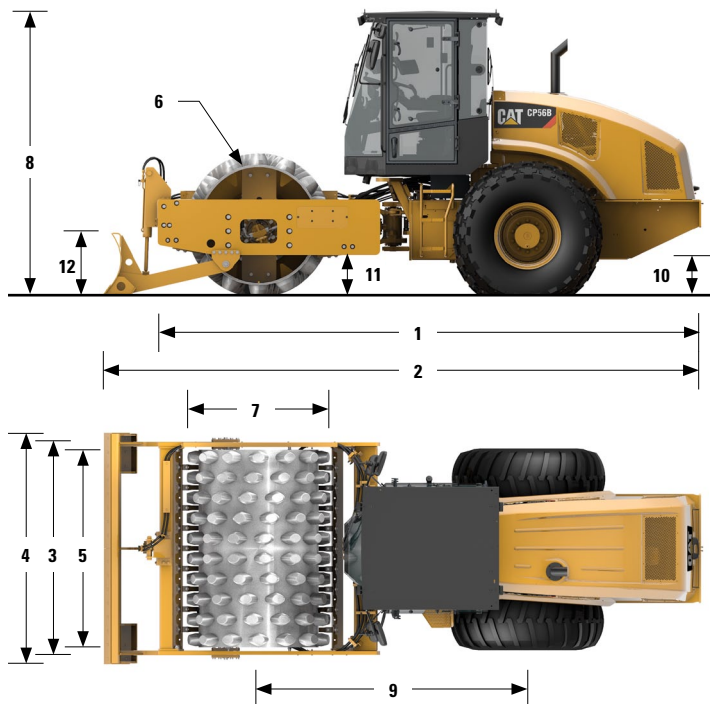
Frequency		
Standard	30.5 Hz	1830 vpm
During Eco-mode Operation	27.7 Hz	1664 vpm
Optional Variable Frequency	23.3-30.5 Hz	1400-1830 vpm
Nominal Amplitude @30.5 Hz (1830 vpm)		
High	2.1 mm	0.083 in
Low	0.98 mm	0.039 in
Centrifugal Force @ 30.5 Hz (1830 vpm)		
Maximum	301 kN	67,600 lb
Minimum	141 kN	31,670 lb

Service Refill Capacities

Fuel Tank, total capacity	242 L	64 gal
Diesel Exhaust Fluid refill capacity	19 L	5 gal
Cooling System	27.8 L	7.3 gal
Engine Oil w/ Filter	11.6 L	3.1 gal
Eccentric Weight Housings	26 L	6.9 gal
Axle and Final Drives	18 L	4.8 gal
Hydraulic Tank (service refill)	50 L	13.2 gal



CP56B Vibratory Soil Compactor



Dimensions

1 Overall Length	5.86 m	19.2 ft
2 Overall Length w/ Optional Leveling Blade	6.4 m	20.9 ft
3 Overall Width	2.30 m	7.53 ft
4 Overall Width w/ Optional Leveling Blade	2.50 m	8.25 ft
5 Drum Width	2134 mm	84 in
6 Drum Shell Thickness	25 mm	1 in
7 Drum Diameter (over pads)	1549 mm	60.9 in
8 Overall Height		
-Cab	3.11 m	10.2 ft
-ROPS/FOPS	3.08 m	10.1 ft
9 Wheelbase	2.9 m	9.5 ft
10 Ground Clearance	454 mm	17.9 in
11 Curb Clearance	506 mm	19.9 in
12 Optional Leveling Blade Height	688 mm	27.1 in
Inside Turning Radius	3.68 m	12.07 ft
Hitch Articulation Angle	34°	
Hitch Oscillation Angle	15°	

Padfoot Specifications

Number of Pads	140	
Pad Height	128 mm	5 in
Pad Face Area	89.4 cm ²	13.9 in ²
Number of Chevrons	14	

STANDARD EQUIPMENT *Varies by market- contact your Dealer for specifics.*

ELECTRICAL

- 24 volt Electrical System
- 100 ampere Alternator
- 750 Cold-cranking Amps Battery Capacity

OPERATOR ENVIRONMENT

- ROPS/FOPS
- Vinyl Adjustable Pivoting Seat with Integrated Console and LCD Display
- Multifunction LCD Display with gauges and/or audible warning alarm for: *Hydraulic oil temperature, Engine oil pressure, Engine coolant temperature, Alternator charge, Fuel level, Service hour meter, Engine RPM, Ground speed, Vibe frequency, Fuel rate, Air filter constriction, Engine load and Optional Cat Compaction Control*
- Platform Handrails/Guardrails
- Adjustable Tilting Steering Column with Integrated Cup Holders
- Seat Belt
- Lockable Vandalism Guard on LCD Display
- 12-volt Power Outlet
- Floor Mat
- Interior Rear View Mirror
- Horn, Backup Alarm

POWER TRAIN

- Cat® C4.4 Diesel Engine
- Air Cleaner, Dual Element
- Three-speed Throttle Switch, Eco-mode and Automatic Speed Control
- Dual Propel Pumps; One for Drum Drive, One for Rear Axle
- Fuel Filter, Water Separator, Electronic Priming Pump, Water Indicator
- Tilting Radiator/Hydraulic Oil Cooler
- Dual Braking System
- Two-speed Hydrostatic Transmission

VIBRATORY SYSTEM

- Padfoot Drum
- Dual Amplitude, Single Frequency
- Dual Pod-Style Eccentric Weight Housings
- Auto-vibe Function
- Front Adjustable Steel Scrapers

OTHER

- Hydraulic Oil Level Sight Gauge
- Radiator Coolant Level Sight Gauge
- Cat® ToughGuard™ Hose
- S-O-SSM Sampling Valves, Engine Oil and Hydraulic Oil

OPTIONAL EQUIPMENT

- ROPS/FOPS Cab with Climate Control
- Leveling Blade
- Variable Vibration Frequency
- Beacon, Rotating
- Polyurethane Drum Scrapers
- Steel Rear-side Drum Scraper
- Bio-oil Factory Fill
- Sun Visor
- Deluxe High-back Air-ride Pivoting Seat (with Cab only)
- Cat Compaction Control, Machine Drive Power
- SBAS GNSS Mapping for Cat Compaction Control (RTK available)
- Upgraded Halogen Light Package
- Cab Internal Rear View Mirrors
- Cab Internal Roll-down Sun Screen
- Product Link
- Additional Rear View Mirrors

For more complete information on Cat products, dealer services, and industry solutions, visit us on the web at www.cat.com

QEHQ1559-01 (06-15)

© 2015 Caterpillar
All Rights Reserved
Printed in U.S.A.

Weights and dimensions listed are approximate. Materials and specifications are subject to change without notice. Featured machines in photos may include additional equipment. See your Cat dealer for available options.

CAT, CATERPILLAR, BUILT FOR IT, their respective logos, "Caterpillar Yellow" and the "Power Edge" trade dress, as well as corporate and product identity used herein, are trademarks of Caterpillar and may not be used without permission.

