



Cat® CW14

PNEUMATIC TIRE ROLLER

Top Features

The Cat® CW14 is a standard nine wheel pneumatic roller with an option to increase to 11 wheels. It offers an operating weight range of 4885 kg to 17 273 kg (10,770 lb - 38,080 lb) for excellent versatility and performance.

Equipped with an efficient Cat C3.4B engine, this machine delivers smooth, reliable performance on grades and soft base materials.

- **Exceptional Visibility and Control** with rotating operator's station, adjustable seating, and simple controls.
- **Smooth Operating Powertrain** with hydrostatic propel control and smooth braking system. The hydrostatic two speed propel system delivers excellent gradeability with speeds up to 18 km/hr (11 mph). The Cat C3.4B engine meets U.S. EPA Tier 4 Interim emission standards.
- **Versatile Compaction Performance** due to the flexible ballast system and oscillating front and rear wheels. Ballast options include sand, steel, and water, making it easy to adjust operating weights and match job site requirements.
- **Simple service** with easy-viewing sight gauges, convenient filter access and color-coded electrical components.
- **Best Lifetime Value** with efficient engine and durable rubber tires minimize life-time operating costs and maximize profit.

Specifications

Weights

Operating Weights		Load per Wheel	
CW14			
Base machine	4885 kg	10,770 lb	0.54 mt
Water	8710 kg	19,202 lb	0.96 mt
Wet sand	12 940 kg	28,528 lb	1.44 mt
CW14 w/11 Wheel Option			
Base machine	4955 kg	10,924 lb	0.45 mt
Water	8780 kg	19,357 lb	0.80 mt
Wet sand	13 010 kg	28,682 lb	1.19 mt
CW14 w/Heavy Weight Option			
Base machine w/steel	11 100 kg	24,471 lb	1.23 mt
Water	14 190 kg	31,284 lb	1.58 mt
Wet sand	17 273 kg	38,080 lb	1.92 mt

Engine – Powertrain

Engine Model	Cat C3.4B	
Number of cylinders	4	
Rated speed	2200 rpm	
Bore	99 mm	3.89"
Stroke	110 mm	4.33"
Gross power:	75 kW	100.5 hp
Speed ranges:		
low	0 - 6 km/hr	4 mph
high	0 - 18 km/hr	11 mph

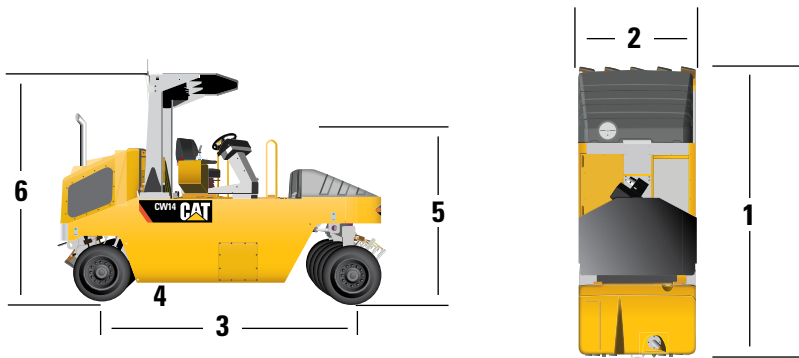
Service Refill Capacities

Fuel tank	173 L	45.6 gal
Cooling system	32 L	8.5 gal
Engine oil w/filter	9 L	2.4 gal
Hydraulic tank	20.5 L	5.4 gal
Water tank	394 L	104 gal



CW14 Pneumatic Tire Roller

Dimensions



1 Overall length	4290 mm	14' 1"
2 Compaction width (9 wheel)	1740 mm	68"
Compaction width (11 wheel)	2130 mm	84"
Tire overlap	13 mm	0.5"
3 Wheelbase	3340 mm	10' 11"
4 Ground clearance	267 mm	10.5"
5 Height (steering wheel)	2320 mm	91"
6 Height (ROPS)	3000 mm	9' 10"

Ground Contact Pressures

Tire Ply		6-Ply 8.5/90 x 15 Smooth Tires		12-Ply 7.5 x 15 Smooth Tires							14-Ply 7.5 x 15 Smooth Tires									
Tire Pressure	kPa	275	344	344	413	482	550	619	688	757	344	413	482	550	619	688	757	826	862	
	psi	40	50	50	60	70	80	90	100	110	50	60	70	80	90	100	110	120	125	
Wheel Load																				
545 kg 1,200 lb	GCP	kPa	162	183	236	266	284	306	317	317	344	243	266	284	295	317	330	344	359	367
		psi	24	27	34	39	41	44	46	46	50	35	39	41	43	46	48	50	52	53
	CA	cm ²	329	291	226	200	187	174	168	168	155	220	200	187	181	168	162	155	149	145
		in ²	51	45	35	31	29	27	26	26	24	34	31	29	28	26	25	24	23	22
970 kg 2,145 lb	GCP	kPa	197	214	250	284	314	343	369	378	410	259	295	321	343	369	388	420	421	427
		psi	29	31	36	41	46	50	54	55	60	38	43	47	50	54	56	60	61	62
	CA	cm ²	485	446	381	336	304	278	258	252	233	368	323	297	278	258	245	233	226	223
		in ²	75	69	59	52	47	43	40	39	36	57	50	46	43	40	38	36	35	34
1440 kg 3,180 lb	GCP	kPa	235	254	280	304	331	358	390	405	607	273	312	336	364	390	413	437	465	475
		psi	34	37	41	44	48	52	57	59	88	40	45	49	53	57	60	64	68	69
	CA	cm ²	601	556	504	465	426	394	362	349	233	517	452	420	388	362	342	323	304	297
		in ²	93	86	78	72	66	61	56	54	36	80	70	65	60	56	53	50	47	46
1920 kg 4,220 lb	GCP	kPa	—	—	296	319	346	368	387	403	440	309	319	341	354	372	387	403	414	417
		psi	—	—	43	47	50	53	56	59	64	45	47	49	51	54	56	59	60	61
	CA	cm ²	—	—	601	559	516	485	461	442	405	577	559	522	504	479	461	442	429	427
		in ²	—	—	93	86	80	75	71	68	63	89	86	81	78	74	71	68	67	66

For more complete information on Cat products, dealer services, and industry solutions, visit us on the web at www.cat.com

QEHQ1621-02 (10-12)

© 2012 Caterpillar
All Rights Reserved

Materials and specifications are subject to change without notice. Featured machines in photos may include additional equipment. See your Cat dealer for available options.

CAT, CATERPILLAR, SAFETY.CAT.COM, their respective logos, "Caterpillar Yellow" and the "Power Edge" trade dress, as well as corporate and product identity used herein, are trademarks of Caterpillar and may not be used without permission.

