



Cat[®] Trenchers

Skid Steer Loaders
Multi Terrain Loaders
Compact Track Loaders
Compact Wheel Loaders

Cat[®] Trenchers are designed for cutting narrow straight trenches in the soil prior to laying electrical, telephone and cable lines, or water and gas pipe. Trenchers are ideal for residential, commercial, agricultural, building construction, lawn care and golf course maintenance.

Features:

Direct drive system

- Direct drive system features a variable speed, bi-directional, gerotor style motor that delivers optimal chain speed, chain pull and torque for maximum trenching performance in a broad range of soil types.

Durable double standard antibackflex chain

- Durable double standard antibackflex chain eliminates chain backlash and ensures teeth are positioned at the most efficient angle for smooth cutting and longer tooth life.

Hardfaced, tungsten carbide steel cupped teeth

- Hardfaced, tungsten carbide steel cupped teeth are standard for long life in many soil conditions. Teeth are spaced for optimum digging performance in most soil.

Standard boom length

- Standard boom length is used for all-purpose performance. Replaceable weld-on wear strips extend boom life.

Large diameter bolt-on spoil auger

- Large diameter bolt-on spoil auger improves loose soil removal from trenching area and allows for quick, easy removal and servicing.

Hydraulic or manual side-shift

- Hydraulic or manual side-shift on the T6B and T9B provides close trenching flexibility near structures or obstructions. Hydraulic side-shift on the T15B is controlled from the operator's compartment using the standard flow auxiliary hydraulic circuit selector control.

Formed skid shoe

- Formed skid shoe acts as a pivot point and maintains proper spoil auger orientation.

Optional chain types and cutting widths

- Optional chain types and cutting widths are available for specific soil, digging requirements and trench widths.

Optional bolt-on crumber bar with shoe

- Optional bolt-on crumber bar with shoe improves soil removal to provide cleaner trench. Shoes available in size range to accommodate trench width.

Cat XT[™] and medium pressure hose, couplings and O-ring face seals

- Cat XT and medium pressure hose, couplings and O-ring face seals provide superior, leak-free performance and reliability. All hoses are wrapped with nylon woven cordura sleeving for added operator protection. Hydraulic quick disconnects enable fast tool changes.

Quick coupler

- Rugged, opposing edge design holds the work tool securely and allows the operator to quickly change from one high performance Cat Work Tool to another.

Compatibility

Model Machines

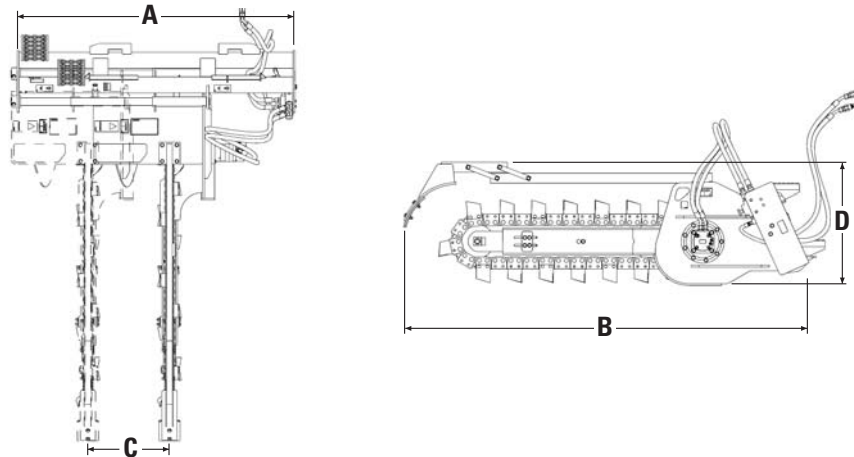
T6B	226B3, 247B3, 236D, 242D, 246D, 257D, 259D, 262D, 272D, 272D XHP, 277D, 279D, 287D, 289D, 299D, 299D XHP, 906H2, 907H2, 908H2
T9B	226B3, 247B3, 236D, 242D, 246D, 257D, 259D, 262D, 272D, 272D XHP, 277D, 279D, 287D, 289D, 299D, 299D XHP, 906H2, 907H2, 908H2
T15B*	226B3, 242D, 246D, 257D, 259D, 262D, 272D, 272D XHP, 277D, 287D, 279D, 289D, 299D, 299D XHP, 906H2, 907H2, 908H2

* Requires high flow or high flow XPS option on machine.



Cat Trenchers

Specifications



			T6B		T9B		T15B	
A Overall width	mm	(in)	1426	(56)	1901	(74.8)	1901	(74.8)
B Overall length	mm	(in)	2348	(92)	2705	(106.5)	3010	(118.5)
C Side-shift travel	mm	(in)	419	(16.5)	559	(22)	559	(22)
D Overall height	mm	(in)	786	(30.9)	786	(30.9)	786	(30.9)
Max auger clearance	mm	(in)	534	(21)	534	(21)	534	(21)
Spoil auger diameter	mm	(in)	457	(18)	457	(18)	457	(18)
Standard boom length	mm	(in)	914	(36)	1219	(48)	1524	(60)
Unit weight	kg	(lb)	397	(875)	551	(1,215*)	601	(1,325**)
Required hydraulic flow range	L/min	(gpm)	42-86	(11-23)	42-86	(11-23)	95-152	(25-40)
Optimal hydraulic pressure range	bar	(psi)	145-235	(2,100-3,400)	145-235	(2,100-3,400)	207-310	(3,000-4,500)
Motor displacement	cm ³ /rev	(in ³ /rev)	393.9	(24.0)	393.9	(24.0)	629.1	(38.4)
Theoretical drive shaft torque	N•m	(lb•ft)	1447	(1,068)	1447	(1,068)	2905	(2,144)
Chain pull @ max pressure ¹	kg	(lb)	1207	(2,661)	1207	(2,661)	2424	(5,344)
Chain speed @ max flow	mpm	(fpm)	155	(508.5)	155	(508.5)	158	(518.3)
Drive shaft speed @ max flow	rpm		203 rpm @ 80 L/min (21 gpm)		203 rpm @ 80 L/min (21 gpm)		207 rpm @ 129 L/min (34 gpm)	
Optional cutting widths	mm	(in)	152, 203, 254, 305 (6, 8, 10, 12)		152, 203, 254, 305 (6, 8, 10, 12)		152, 203, 254, 305 (6, 8, 10, 12)	

* T9B equipped with 1219 mm (48 in) boom, hydraulic side shift control, double standard antibackflex chain, 203 mm (8 in) cutting width, 50/50 combo carbide/cup chain.

** T15B equipped with 1524 mm (60 in) boom, double standard antibackflex chain, 203 mm (8 in) cutting width, 50/50 combo carbide/cup chain.

¹ Max. Pressure: T9B – 235 bar (3,400 psi), T15B – 290 bar (4,205 psi)

For more complete information on Cat products, dealer services, and industry solutions, visit us on the web at www.cat.com

© 2013 Caterpillar Inc.
All Rights Reserved
Printed in U.S.A.

Materials and specifications are subject to change without notice. Featured machines in photos may include additional equipment. See your Cat dealer for available options.

CAT, CATERPILLAR, SAFETY.CAT.COM, their respective logos, "Caterpillar Yellow" and the "Power Edge" trade dress, as well as corporate and product identity used herein, are trademarks of Caterpillar and may not be used without permission.

AEHQ5836-02 (10-13)
Replaces AEHQ5836-01

