

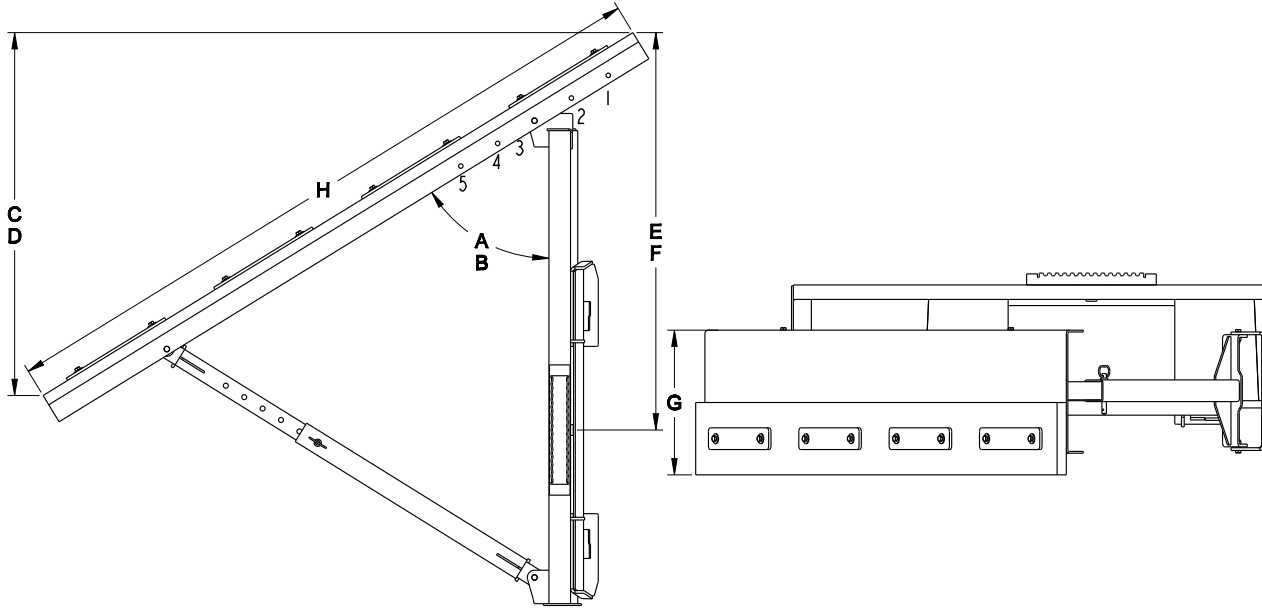
# Feed Pusher



## Features

- ❑ Multiple width and angle adjustments with a replaceable rubber edge.
- ❑ Five width adjustments keeps feed away from tires.
- ❑ Eight angle adjustments keeps feed moving efficiently.
- ❑ 1 ½" x 10" reversible, replaceable rubber edge allows 6" of total wear.

# Feed Pusher Specifications



MODEL	FPV				
	1	2	3	4	5
Hinge Position	1	2	3	4	5
(A) Minimum Angle (Degrees)	38.4	40.9	43.0	44.6	45.6
(B) Maximum Angle (Degrees)	58.2	61.6	65.0	68.3	71.7
(C) Minimum Push Width (Inches)	50.5	45.6	40.5	35.4	30.1
(D) Maximum Push Width (Inches)	75.2	72.5	70.2	68.3	67.2
(E) Minimum Discharge Distance (Measured from Center Line of Loader)	48.7	51.3	53.3	54.6	55.3
(F) Maximum Discharge Distance (Measured from Center Line of Loader)	49.5	53.9	58.1	62.1	66.0
(G) Blade Height (Inches)	20.0				
(H) Blade Length (Inches)	96.0				
Approximate Weight (Pounds)	520				

Specifications and designs are subject to change without notice.



**Virnig Manufacturing Inc.**  
 800-648-2408  
 attachments@virnigmfg.com  
 www.virnigmfg.com